



# quattro

The all-new **QUATTRO** 4-bottle model is your ideal entry-level wine dispensing system for either behind the bar use in a commercial setting or for wine enthusiasts to use at home. Effortlessly load four bottles to preserve and serve your wine by the glass at the optimal temperature while preventing costly spoilage or over-pouring.

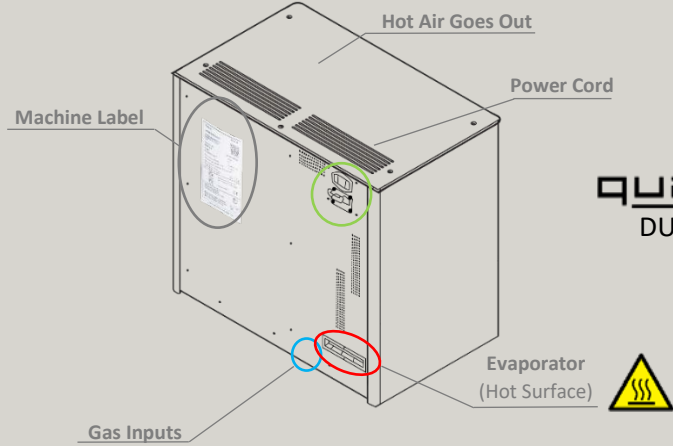
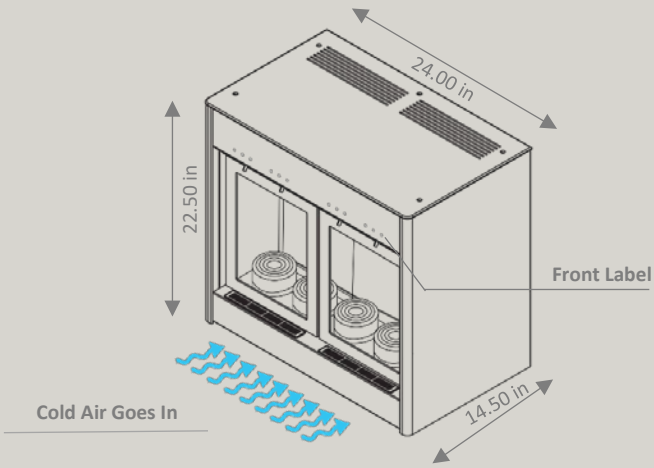
The new “Series 2” dispenser’s main characteristics are the ease of use and the high technologic advancements adapted into a compact space with industrial grade reliability and a 2-year warranty.

**The QUATTRO is the first preservation system to feature two completely independent climatic zones.**

## FEATURES

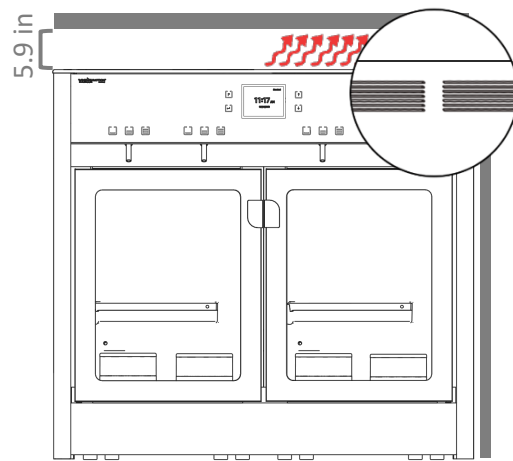
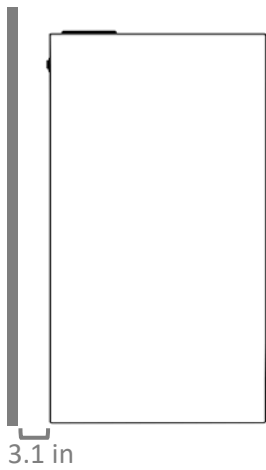
- ❖ **Serving Temperatures and Configuration**
  - 4 Red Wines or 4 White Wines from 43°-65° F
  - 2 Red + 2 White Wines from 43°-65° F
- ❖ **Usage Configuration**
  - Behind the Bar (for Staff Use Only)
  - Not Compatible with Wine Cards
- ❖ **System Control**
  - 3-Digit Pin Code to Disable Dispensing
- ❖ **Portion Control**
  - 3 precise pour options: taste, ½ glass, full glass
  - Adjustable portion control from ½ ounce to 8 ounces – anything in between
- ❖ **Preservation**
  - 30 day advanced wine preservation with Food Grade Argon or Nitrogen gas (99.99% purity)
- ❖ **Gas System**
  - External Argon or Nitrogen gas tank required
- ❖ **Display**
  - One central display to access main menu (bottle replacement, temp controls, etc.)
- ❖ **Lighting**
  - Standard LED lighting to highlight each bottle
- ❖ **Bottle Lifting System**
  - Manual, spring-loaded piston
- ❖ **ISOL-Plus Technology**
  - Sole patented valve to prevent aromatic cross contamination of wines in the same unit
- ❖ **OSHA Requirements**
  - ETL certified for safety (conforms to UL)
  - ETL sanitation (conforms to NSF)
- ❖ **Ventilation Requirement**
  - 6 inches of top clearance for proper ventilation
  - No side or front clearance required
- ❖ **Condensation Drainage**
  - Not required—unit is self-contained with internal evaporator
- ❖ **Cooling System**
  - Zero-Noise technology for silent operation
- ❖ **Finish**
  - Standard Stainless Steel with Swinging Double Glass Doors
  - Optional RAL Color Customization

Models	Width	Height	Depth	Weight	Frequency	Electrical Requirements
QUATTRO (Refrigerated/ Dual Zone)	24.00 in.	22.50 in.	14.50 in.	99 lbs.	60 Hz	110VAC 110 Watt



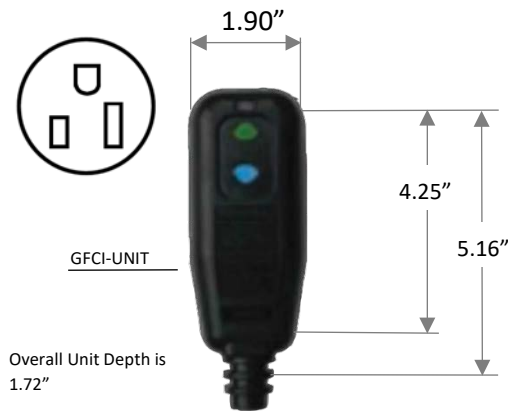
**quattro**  
DUAL ZONE (2+2)

**SPACE REQUIREMENTS**



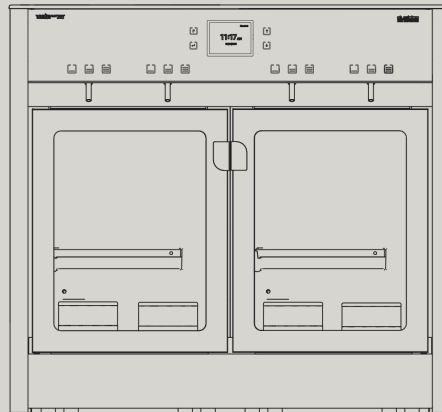
**US PLUG SPECS**

NEMA RECEPTACLES 5-15r



**TECHNICAL SPECIFICATIONS**

WIDTH	<b><u>24.00 in</u></b>
HEIGHT	<b><u>22.50 in</u></b>
DEPTH	<b><u>14.50 in</u></b>
WEIGHT CT	<b><u>99 lb</u></b>



**ELECTRICAL REQUIREMENTS**

110VAC  
60Hz – 2.2A

**CERTIFICATIONS**

**USA 110VAC 60Hz**

**NSF 25 UL 751 UL 541**

